

DOLPHIN EX 10

Item	Item Number	Description	Price
001	8883023	ACCESSORIES	0
- 001.01	99956032-ASSY	PS BASIC 230V	0
- 01.01	9983204	CORK FOR DC IN PWS S300i	0
- 001.03	58984401LF	EU switching PS cord + O RING	0
01	99952355-ASSY	FILTER COVER ORANGE ASSY	0
02	99830082	LID LATCH WHITE	0
03	8883990	FILTERS S100 - CATALOG KIT	0
- 03.01	9991459-ASSY	SPRING FILTER ASSY M1	0
- 03.01B	9991482-ASSY	ULTRA-FINE FILTER BASKET THICK	0
- 03.01C	9991460-ASSY	ULTRA-FINE FILTRATION BASKET	0
- 03.02	9983027	FILTER HANDEL KNOB	0
- 03.03	3917029	FILTER HANDLE SPRING	0
- 03.04	9983004	FILTER HANDLE M1	0
- 03.05	9983037	FILTER FRAME TOP	0
- 03.06	9991468-ASSY	SPRING FILTERS KIT M1	0
- 03.07	9983025	NON RETURN VALVE FOR M1 FILTER	0
- 03.08	3917014	BOTTOM LID SPRING	0
- 03.09	9983026	FILTER HOLDER	0
- 03.10	9983096	EXTERNAL FILTER FRAME-FRONT M1	0
- 03.11	9983049	FILTER DOOR 2 + O.M FOR 30u	0
- 03.12	9991466-ASSY	CARTRIDGE FILTERS KIT S100	0
- 03.A	3303008-A	SCREW KA30X8 WN1412 A2	0
- 03.B	3379410-A	SCREW WN1412 A2 KA40X10	0
04	99830238	GROMMET LID ORANGE	0
05	99957163	HANDLE ASSY ORANGE	0
06	9991741	FLOAT+HOUSING FOR IZZY	0
07	9983000	COVER UP	0
08	9991740	WATER TUBE FOR M1 L+R ASSY	0
09	9995884-DIY	CABLE DIAG S1 15M DIY	0
10	9991742	WATER TUBE + IMPELLER SHIELD ASS	0
11	9983126	GROMMET REF SMALL	0
12	9991271	RETROFIT FOR CABLE CON. 2015	0
- 12.01	9985048	CABLE CONN.THREE PIN	0
- 12.02	1811404	CABLE CONNECTOR	0
- 12.03	9985027	PLASTIC WASHER 7MM X 2MM	0
- 12.04	3861002	RK RING FOR CABLE CONN.	0
- 12.05	9980025	WASHER-INSIDE DIA. 13MM	0
- 12.06	9980797	NUT FOR MBU TERMINAL 2015	0
13	9983022	SMALL JET TUBE	0
14	9995266	HELICE+ TORNILLO M4 M5 X3 X4 X5 SWTC SU4 SU5 X5L B	0

DOLPHIN EX 10

Item	Item Number	Description	Price
16	9983024	QUICK WATER RELEASE	0
17	8882038	MOTOR UNIT CATALOG KIT S100	0
- 17.01	5588902	IMPELLER MOTOR HOLDER 2	0
- 17.02	9983155	COVER FOR PUMP MOTOR BOX+M1	0
- 17.03	3861644	O-RING 164x4 N70	0
- 17.04	3862503	SEAL ORING 25X3 I.M	0
- 17.05	5583323	SEAL ORING 32X3	0
- 17.06	9991211-ASSY	IMPELLER MOTOR S300 ASSY	0
- 17.07	9983406	PCB HOLDER S	0
- 17.08	9995003	ELECT. CARD M1 ASSY	0
- 17.09	9983180	FRONT CLIPS FOR MBU S300	0
- 17.10	9991210-ASSY	DRIVE MOTOR S300 ASSY	0
- 17.10A	9983142	GEAR Z12 FOR DRIVE MOTOR	0
- 17.11	3862474	ORING 47X4mm	0
- 17.12	9983166	CLIPS FOR MBU CABLE	0
- 17.14	9983140	CLIP FOR MBU	0
- 17.15	9983138	MOTOR UNIT CASING S100	0
- 17.16	5890051LF	CABLE MBU 2010	0
- 17.A	3374012-A	SCREW KA 40X12	0
- 17.MU1	9995386-ASSY	MU S100 ASSY	0
- 17.MU2	9995386-EX	MU S100/E20 EX	0
18	9983019	OUTER CASING ADAPTOR	0
19	9983152	TRACK S GREY	0
20	3917022	SPRING FOR FILTER S LINE	0
21	9991752	CHASSIS ASSEMBLY M1C	0
- 21.01	9991746-ASSY	INNER WEIGHT FOR M1 CHASSIS ASSY	0
- 21.02	9983092	BYPASS TOP COVER M1	0
- 21.03	9991743-ASSY	BYPASS DOOR ASSY S100	0
- 21.04	9983090	BYPASS COVER LEFT M1	0
- 21.05	9983091	BYPASS COVER RIGHT M1	0
- 21.06	9991747	BOTTOM FLOAT+HOUSING FOR S100	0
- 21.07	9983001	CHASSIS S100	0
- 21.08	9983039	BYPASS BOTTOM COVER NET	0
- 21.A	3379440-A	SCREW KA50X12 A2 WN1412	0
22	8881204-WT	E10 DRIVE SYS CAT. KIT	0
- 22.01	9983014	LARGE WHEEL COVER	0
- 22.02	9983013	ACTIVE BRUSH BRACKET -L	0
- 22.03	99831111	FRONT WHEEL WHITE	0
- 22.04	99831211	WHEEL DISK WHITE	0
- 22.05	9983114	WHEEL BUSHING	0
- 22.06	9983012	ACTIVE BRUSH BRACKET -R	0

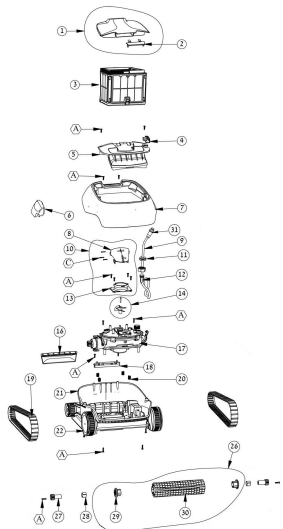
DOLPHIN EX 10

Item	Item Number	Description	Price
- 22.07	3726283	BYPASS AND WHEEL WEIGHT FOR M1	0
- 22.08	9983016	WHEEL PLUG	0
- 22.09	9983015	SMALL WHEEL	0
- 22.A	3379616-A	SCREW KA50X16	0
- 22.KIT1	9991738-ASSY	FRONT WHEEL E10 ASSY	0
- 22.KIT2	9991739-ASSY	REAR WHEEL E10 ASSY	0
26	9995544-ASSY	ACTIVE BRUSH S1 GREY ASSY	0
27	9983018	GEAR Z12 FOR ACTIVE BRUSH M1	0
28	9983042	ACTIVE BRUSH BUSHING M1	0
29	9983017	ACTIVE BRUSH ADAPTOR FOR M1	0
30	9983122	GREY BRUSH FOR ACTIVE BRUSH	0
31	5000009	CLAVIJA DE CONEXI3N A FUENTE DE ALIMENTACI3N	0
A	3379440-A	SCREW KA50X12 A2 WN1412	0
C	3303008-A	SCREW KA30X8 WN1412 A2	0

DOLPHIN EX 10



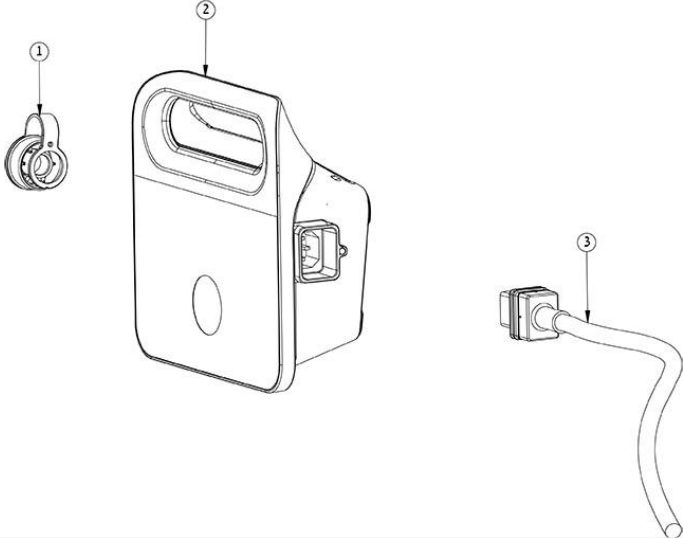
.001 (ACCESSORIES)



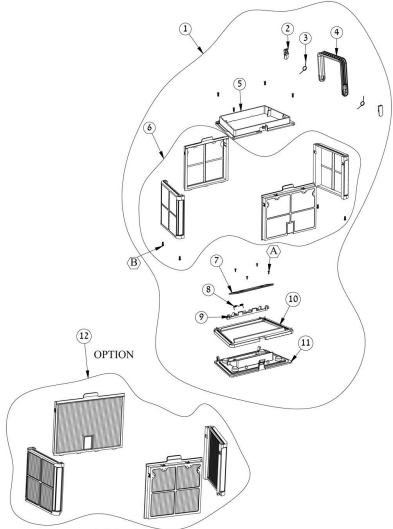
001.01 (PS BASIC 230V)



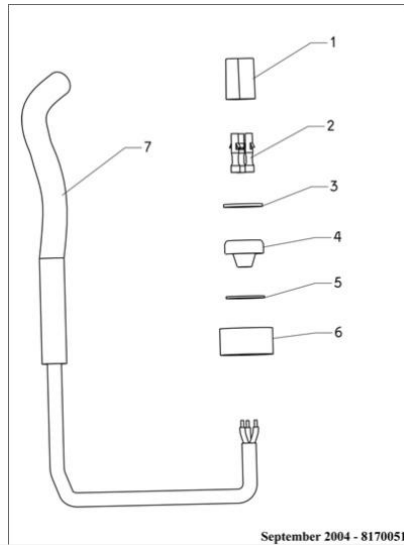
01.01 (CORK FOR DC IN PWS S300i)



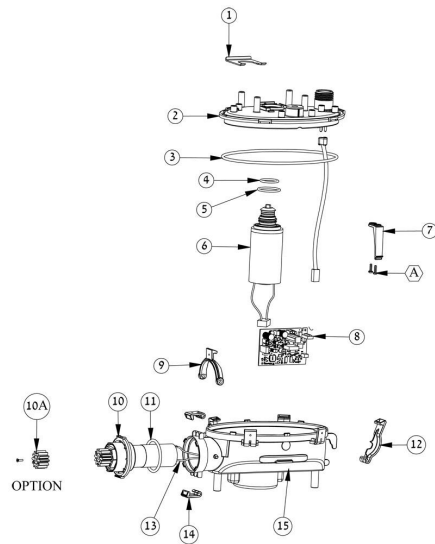
03.01 (SPRING FILTER ASSY M1)



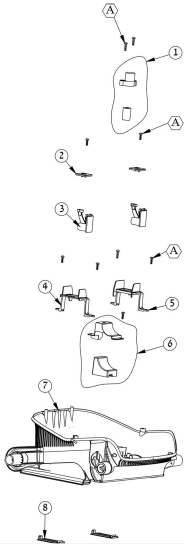
12.01 (CABLE CONN.THREE PIN)



17.01 (IMPELLER MOTOR HOLDER 2)



21.01 (INNER WEIGHT FOR M1 CHASSIS ASSY)



22.01 (LARGE WHEEL COVER)

