

**DOLPHIN E35 EU**

Item	Item Number	Description	Price
<b>001</b>	<b>8883031</b>	ACCESSORIES	0
- 001.01	<b>99956032-ASSY</b>	PS BASIC 230V	0
- 01.01	9983204	CORK FOR DC IN PWS S300i	0
- 001.02	58984401LF	EU switching PS cord + O RING	0
- <b>001.03</b>	<b>9996087-ASSY</b>	CADDY NS	0
- 03.01	9991098	TOP HANDLE	0
- 03.02	9980675	HANDLE HOOK	0
- 03.03	9980676	PROFILE INSERT	0
- 03.04	9983202	CADDY ADAPTOR FOR PS	0
- 03.05	4197023-ASSY	PROFILE AL. CADDY + INSERT ASSY	0
- 03.06	9983203	COVER FOR P.S HOUSING	0
- 03.07	9983181	CADDY ADAPTOR S LINE	0
- 03.08	9980672	WHEEL COVER NEW CADDY	0
- 03.09	9980670	BASE CADDY	0
- 03.10	9980681	WHEEL FOR CADDY OM	0
- 03.KIT	9991503-ASSY	NEW CADDY SCREW KIT	0
01	99952192-ASSY	FILTER COVER E30 ASSY	0
02	99831364	FILTER COVER LATCH L.GREY	0
<b>03</b>	<b>8883989</b>	FILTERS S200 - CATALOG KIT	0
- 03.01	9991457-ASSY	NET FILTER BASKET ASSY S2	0
- 03.01A	9991458-ASSY	CARTRIDGE FILTER ASSY S2	0
- 03.02	9983108	FILTER HANDLE	0
- 03.03	9983109	FILTER HANDLE LATCH	0
- 03.04	3917029	FILTER HANDLE SPRING	0
- 03.05	6350150	NON RETURN VALVE M2/M2i	0
- 03.06	9983110	UPPER FILTER FRAME M2/M2i	0
- 03.07	9983162	FILTER PILLAR 2	0
- 03.08	9983164	FILTER PILLAR 4	0
- 03.09	9983161	FILTER PILLAR 1	0
- 03.10	9983163	FILTER PILLAR 3	0
- 03.11	9991463-ASSY	SPRING FILTERS KIT	0
- 03.12	9983105	LOWER FILTER FRAME M2/M2i	0
- 03.13	9983107	FILTER DOOR	0
- 03.14	9983106	ROUGH FILTER S	0
- 03.15	9991467-ASSY	CARTRIDGE FILTER PANELS KIT	0
- 03.A	3379410-A	SCREW WN1412 A2 KA40X10	0
04	99957103-ASSY	HANDLE ASSY SCOOP	0
05	99831277	TOP LID ORANGE M2/M2i	0
06	5000009	CLAVIJA DE CONEXIÒN A FUENTE DE ALIMENTACIÒN	0
07	9991733	FLOAT+HOUSING FOR S300i	0
08	99831348	RIGHT GRILL ORANGE	0

## DOLPHIN E35 EU

Item	Item Number	Description	Price
09	99831307	OUTER CASING BLACK M2/M2i	0
10	99831358	LEFT GRILL ORANGE	0
11	9991730	WATER TUBE S2 ASSY	0
12	9983167	LENS M2	0
13	99958903-DIY	CABLE DIAG S 2W 18M DIY	0
<b>13ne</b>	<b>99958907-DIY</b>	CABLE AND SWV DIY 18M DIAG S2	0
- 13ne.01	<b>9991271</b>	RETROFIT FOR CABLE CON. 2015	0
- 01.01	9985048	CABLE CONN.THREE PIN	0
- 01.02	1811404	CABLE CONNECTOR	0
- 01.03	9985027	PLASTIC WASHER 7MM X 2MM	0
- 01.04	3861002	RK RING FOR CABLE CONN.	0
- 01.05	9980025	WASHER-INSIDE DIA. 13MM	0
- 01.06	9980797	NUT FOR MBU TERMINAL 2015	0
- 13ne.02	9983126	GROMET REF SMALL	0
- 13ne.03	9995090	FLOTADOR PARA CABLE PX2 SU4 CLA EXP PLUS	0
- 13ne.04	99958814-DIY	CABLE SWV DIAG 1.2M' 2015 LINE	0
- 13ne.05	9987610	STRAIN RELIEF FOR P.S INJ. PLUG	0
- 13ne.06	5000009	CLAVIJA DE CONEXI�N A FUENTE DE ALIMENTACI�N	0
14	9983112	WHEEL BEARING	0
15	99955380-ASSY	WHEEL ASSY Z PVC GREY	0
17	9983102	RAPID DRAIN FLAP	0
<b>18</b>	<b>8882041</b>	MOTOR UNIT CATALOG KIT S200	0
- 18.01	9991735	WATER ADJUSTER TUBE S2 ASSY	0
- 18.02	9983146	IMPELLER TUBE	0
- 18.03	9983356	PIN SERVO M2 iO	0
- 18.04	9983363	SPACER FOR SERVO MOVEMENT	0
- 18.05	5588902	IMPELLER MOTOR HOLDER 2	0
- 18.06	9995266	HELICE+ TORNILLO M4 M5 X3 X4 X5 SWTC SU4 SU5 X5L B	0
- 18.07	9991734-ASSY	COVER FOR MU S300+SERVO+PCB ASSY	0
- 18.08	3861644	O-RING 164x4 N70	0
- 18.09	9983406	PCB HOLDER S	0
- 18.10	3862503	SEAL ORING 25X3 I.M	0
- 18.11	5583323	SEAL ORING 32X3	0
- 18.12	5890051LF	CABLE MBU 2010	0
- 18.13	9991211-ASSY	IMPELLER MOTOR S300 ASSY	0
- 18.14	9983180	FRONT CLIPS FOR MBU S300	0
- 18.15	4850010	DESSICATING BAG	0
- 18.17	9983166	CLIPS FOR MBU CABLE	0
- 18.18	9991210-ASSY	DRIVE MOTOR S300 ASSY	0
- 18.18A	9983142	GEAR Z12 FOR DRIVE MOTOR	0

**DOLPHIN E35 EU**

Item	Item Number	Description	Price
- 18.19	3862474	ORING 47X4mm	0
- 18.20	9983140	CLIP FOR MBU	0
- 18.21	9983138	MOTOR UNIT CASING S100	0
- 18.999	8141027	BURNING SOFTWARE	0
- 18.A	3379440-A	SCREW KA50X12 A2 WN1412	0
- 18.B	3101308-A	SCREW M3X8 DIN965A-A2 TUF	0
- 18.MU1	9995387-ASSY	MU S200 ASSY	0
- 18.MU2	9995387-EX	MU S2 EX	0
<b>19</b>	<b>9991271</b>	<b>RETROFIT FOR CABLE CON. 2015</b>	<b>0</b>
- 01.01	9985048	CABLE CONN.THREE PIN	0
- 01.02	1811404	CABLE CONNECTOR	0
- 01.03	9985027	PLASTIC WASHER 7MM X 2MM	0
- 01.04	3861002	RK RING FOR CABLE CONN.	0
- 01.05	9980025	WASHER-INSIDE DIA. 13MM	0
- 01.06	9980797	NUT FOR MBU TERMINAL 2015	0
20	9983120	WHEEL BEARING ADAPTOR M2/M2i	0
21	6101911	TUBO DE RODILLO 3CB CLA EXP 2001 XT1 3001	0
22	6101310	BRUSH PVC DIAG GREY S LINE	0
23	3726284	REAR WEIGHT FOR S	0
24	3917022	SPRING FOR FILTER S LINE	0
25	9983169	BYPASS COVER M2/M2i R	0
<b>26</b>	<b>8881205-GR2</b>	<b>S300 DRIVE SYS CAT. KIT</b>	<b>0</b>
- 26.01	9983111	FRONT WHEEL GREY	0
- 26.03	9983114	WHEEL BUSHING	0
- 26.04	9983121	WHEEL DISK	0
- 26.05	99831035	SIDE PANEL GREY	0
- 26.A	3379616-A	SCREW KA50X16	0
27	9983100	CHASSIS M2/M2i	0
28	9991731-ASSY	BYPASS ASSY	0
29	9983168	BYPASS COVER M2/M2i L	0
30	9983152	TRACK S GREY	0
31	9991732	VACUUM STRIPS KIT OF 10	0
32	9995543-ASSY	ACTIVE BRUSH S300 GREY ASSY	0
33	9983116	ACTIVE BRUSH HOLDER M2/M2i L	0
34	9983123	ACTIVE BRUSH GEAR S	0
35	9983119	ACTIVE BRUSH ADAPTOR S R	0
36	9983088	WHEEL TUBE FOR ACTIVE BRUSH S300	0
37	9983122	GREY BRUSH FOR ACTIVE BRUSH	0
38	9983118	ACTIVE BRUSH ADAPTOR M2/M2i L	0
39	9983113	ACTIVE BRUSH BUSHING S	0
40	9983117	ACTIVE BRUSH HOLDER M2/M2i R	0

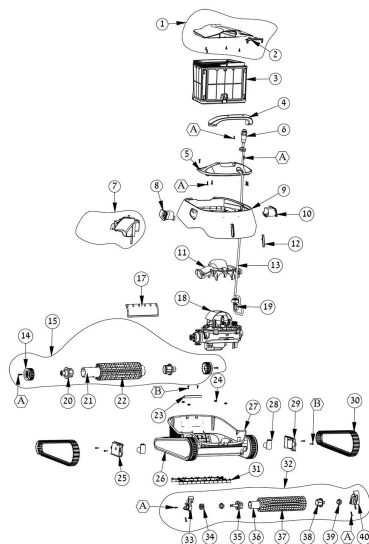
**DOLPHIN E35 EU**

Item	Item Number	Description	Price
A	3379616-A	SCREW KA50X16	0
B	3379440-A	SCREW KA50X12 A2 WN1412	0

**DOLPHIN E35 EU**



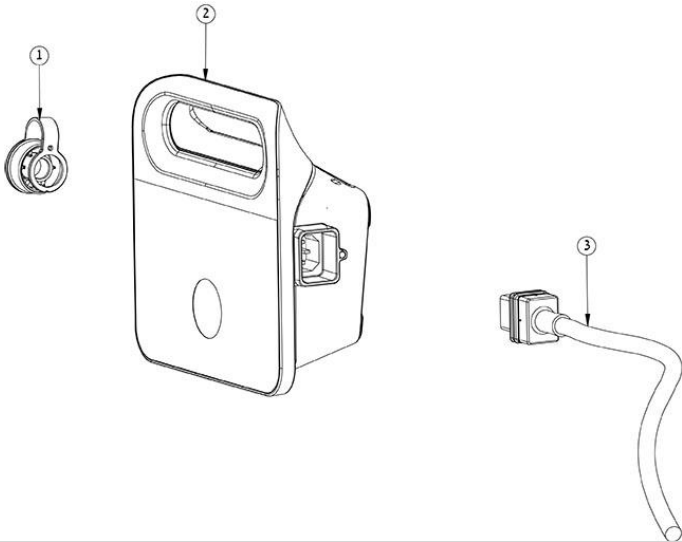
**.001 (ACCESSORIES)**



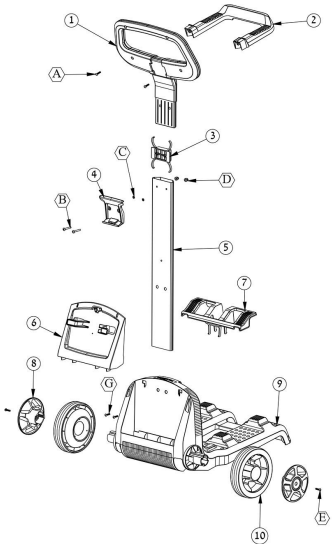
001.01 (PS BASIC 230V)



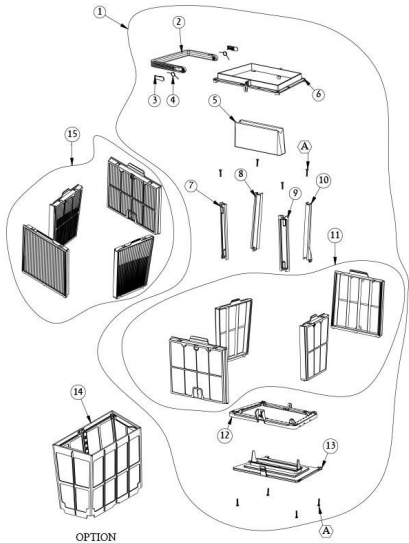
01.01 (CORK FOR DC IN PWS S300i)



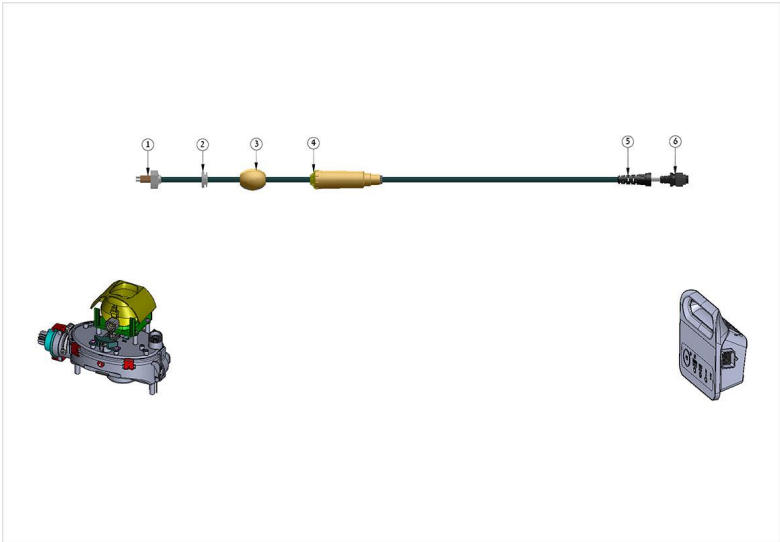
03.01 (TOP HANDLE)



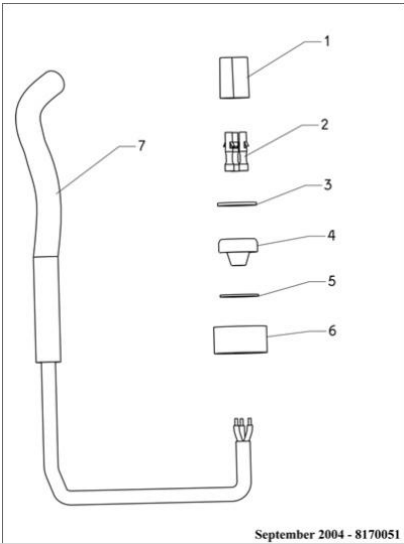
03.01 (NET FILTER BASKET ASSY S2)



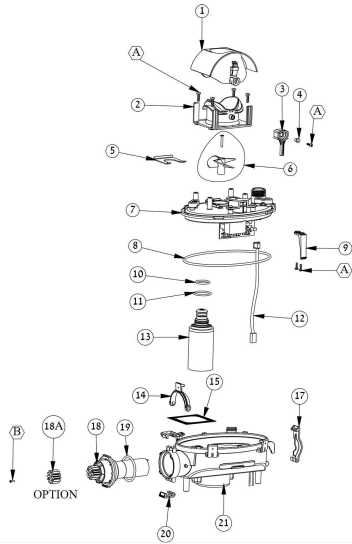
13ne.01 (RETROFIT FOR CABLE CON. 2015)



01.01 (CABLE CONN.THREE PIN)



18.01 (WATER ADJUSTER TUBE S2 ASSY)



26.01 (FRONT WHEEL GREY)

